

LED Wallpack Light

www.everbrightlights.com

Applications

LED Wallpack Light

- Warehouses, parking lots, plazas, loading docks
- Schools, institutions, building entrances
- Multi-use facilities, gyms



Features

- Die cast aluminum alloy housing with powder coated finish for corrosion resistance
- High toughened glass cover
- High efficiency thermal management
- Compact design for convenient installation
- IP65 Rated fixture suitable for wet location
- Philips Lumiled SMD3030 LEDs
- The LED system delivers on average 70% of lumen maintenance (L70) at 65,000 hours; 97.47% average lumen maintenance at 6,000 hours.



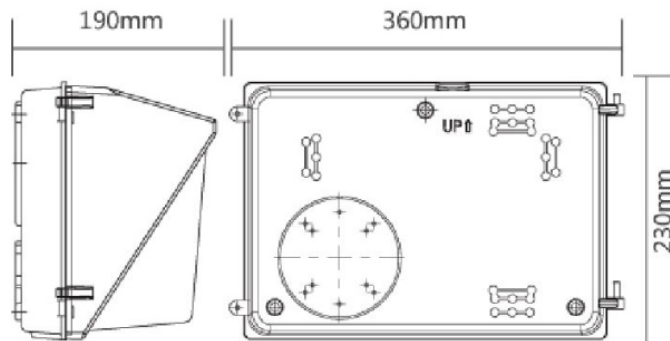
Order Code

Product Code	Color	Beam Angle	Volts	Max. Power Consumption	Light Output (Lumens)	CCT	Color	CRI	Rated Life	Avg. Power Factor
E420040DW	White	120°	120V	40W	4800	5000K	White	78	65,000hrs	>0.90
E420060DW	White	120°	120V	60W	7200	5000K	White	78	65,000hrs	>0.90
E420120DW	White	120°	120V	120W	14400	5000K	White	78	65,000hrs	>0.90
E420120DW-347	White	120°	347V	120W	14400	5000K	White	78	65,000hrs	>0.90

Specifications

- Net weight: 3.3kg (40w, 60w), 4.1Kg (120w)
- Dimensions: 360 x 230 x 190mm
- Working temperature: -20~45°C
- Storage temperature: -40~50°C

Dimensions



Information provided is subject to change without notice.