

LED Flood Light

www.everbrightlights.com

Applications

LED Flood Light Ultra Slim 30W



- Warehouse, parking lot, plaza, entrance, landscape
- Park, off-street area, driveway
- Billboard, playground, gyms



Features

- Die cast aluminum alloy housing with powder coated finish for corrosion resistance
- High toughened glass cover
- High efficiency thermal management
- Compact design for convenient installation
- IP65 Rated fixture suitable for wet location
- Philips Lumiled SMD3030 LEDs
- The LED system delivers on average 70% of lumen maintenance (L70) at 65,000 hours; 97.47% average lumen maintenance at 6,000 hours.



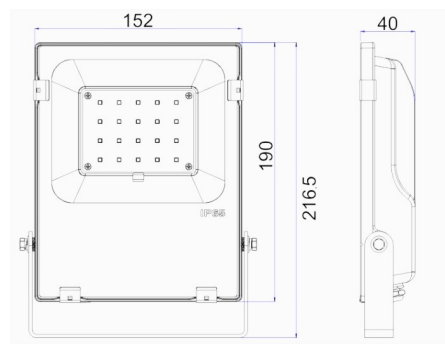
Order Code

Product Code	Color	Beam Angle	Volts	Max. Power Consumption	Power (Lumens)	CCT	Color	CRI	Rated Life	Avg. Power Factor
E400030DW	White	120°	120V	30W	3600	5000K	White	78	65,000hrs	>0.90

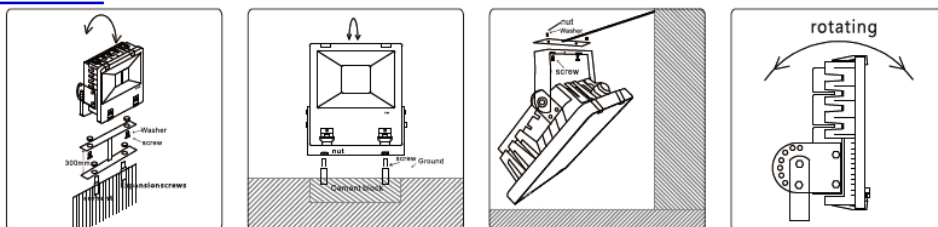
Specifications

- Net weight: 1.0kg
- Dimensions: 217 x 152 x 40mm
- Working temperature: -20~45°C
- Storage temperature: -40~50°C

Dimensions



Installation



Information provided is subject to change without notice.