

# LED Flood Light

www.everbrightlights.com

## Applications

### Ultra Slim LED Flood Light 200W

- Warehouse, parking lot, plaza, entrance, landscape
- Park, off-street area, driveway
- Billboard, playground, gyms



## Features

- Die cast aluminum alloy housing with powder coated finish for corrosion resistance
- High toughened glass cover
- High efficiency thermal management
- Compact design for convenient installation
- IP65 Rated fixture suitable for wet location



## Order Code

Product Code	Color	Beam Angle	Volts	Max. Power Consumption	Light Output (Lumens)	CCT	Color	CRI	Rated Life	Avg. Power Factor
E400200W	White	120°	120V	200W	26881	5000K	White	78	50,000hrs	>0.90

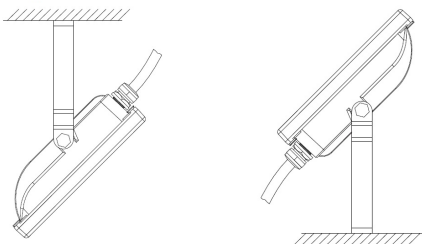
## Specifications

- Net weight: 5,500g
- Dimensions: 360 x 471 x 60mm
- Working temperature: -30~40°C
- Storage temperature: -40~60°C

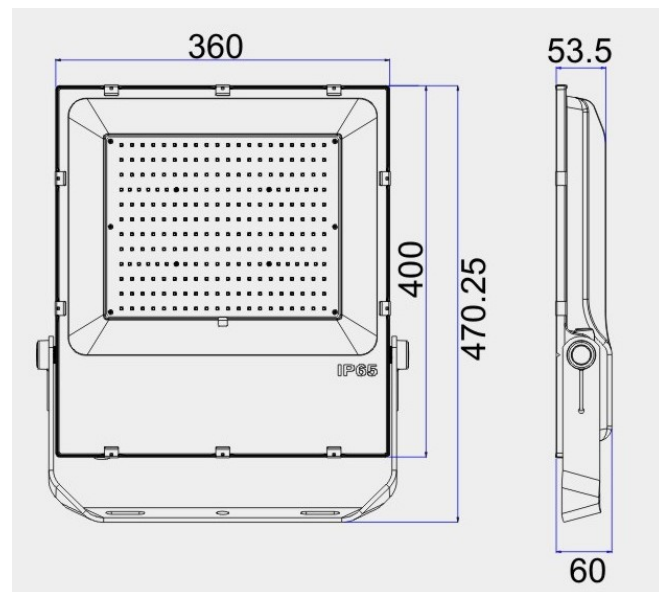
### Notes:

This fixture is not intended for use with emergency exit fixtures or emergency lights.

## Installations



## Dimensions



Information provided is subject to change without notice.