

LED Flood Light

www.everbrightlights.com

Applications

Ultra Slim LED Flood Light 150W

- Warehouse, parking lot, plaza, entrance, landscape
- Park, off-street area, driveway
- Billboard, playground, gyms



Features

- Die cast aluminum alloy housing with powder coated finish for corrosion resistance
- High toughened glass cover
- High efficiency thermal management
- Compact design for convenient installation
- IP65 Rated fixture suitable for wet location



Order Code

Product Code	Color	Beam Angle	Volts	Max. Power Consumption	Power	Light Output (Lumens)	CCT	Color	CRI	Rated Life	Avg. Power Factor
E400150W	White	120°	120V	150W		20559	5000K	White	78	50,000hrs	>0.90

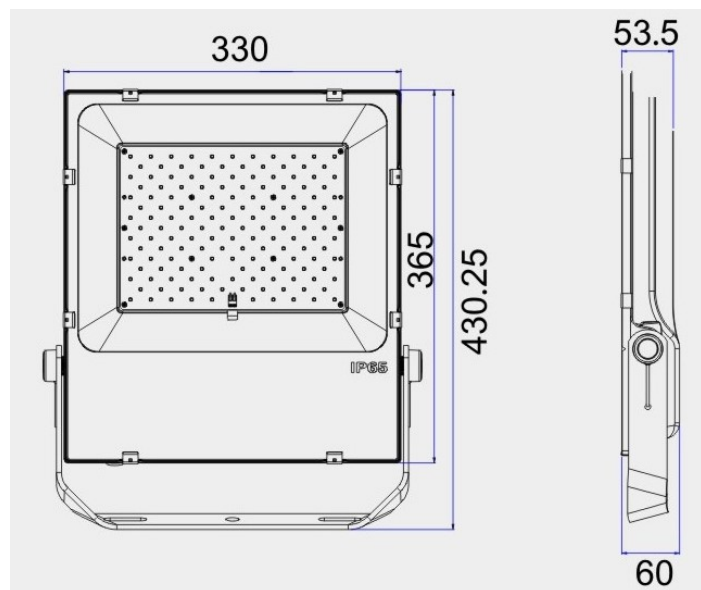
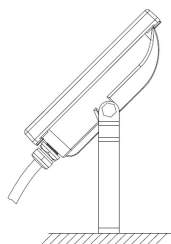
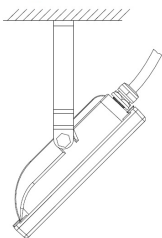
Specifications

- Net weight: 5,500g
- Dimensions: 330 x 430 x 54mm
- Working temperature: -30~40°C
- Storage temperature: -40~60°C

Notes:

This fixture is not intended for use with emergency exit fixtures or emergency lights.

Installations



Information provided is subject to change without notice.