

LED Flood Light

www.everbrightlights.com

Applications

Ultra Slim LED Flood Light 100W

- Warehouse, parking lot, plaza, entrance, landscape
- Park, off-street area, driveway
- Billboard, playground, gyms



Features

- Die cast aluminum alloy housing with powder coated finish for corrosion resistance
- High toughened glass cover
- High efficiency thermal management
- Compact design for convenient installation
- IP65 Rated fixture suitable for wet location



Order Code

| Product Code | Color | Beam Angle | Volts | Max. Power Consumption | Power | Light Output (Lumens) | CCT | Color | CRI | Rated Life | Avg. Power Factor |
|--------------|-------|------------|-------|------------------------|-------|-----------------------|-------|-------|-----|------------|-------------------|
| E400100W | White | 120° | 120V | 100W | | 122550 | 5000K | White | 78 | 50,000hrs | >0.90 |

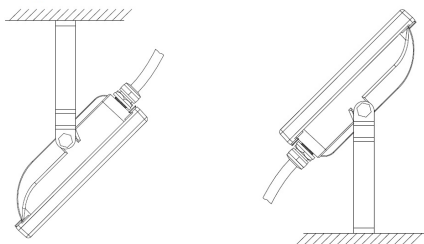
Specifications

- Net weight: 4,000g
- Dimensions: 295 x 403 x 60mm
- Working temperature: -30~40°C
- Storage temperature: -40~60°C

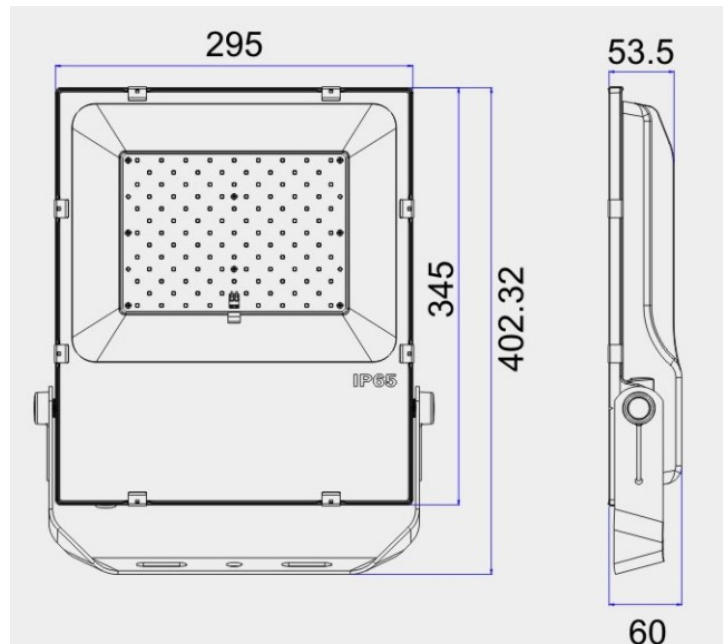
Notes:

This fixture is not intended for use with emergency exit fixtures or emergency lights.

Installations



Dimensions



Information provided is subject to change without notice.