

LED non- Dimmable Driver 240W Constant Voltage



Features

- Universal AC input voltage 100-277VAC
- Built-in active PFC function
- Protection: OCP, OVP, SCP, OTP
- Typical lifetime > 50,000 hours
- IP65 Rated Enclosure for Indoor and Outdoor Use
- Wiring Compartments with Knock-Outs for Clean and Easy Installation



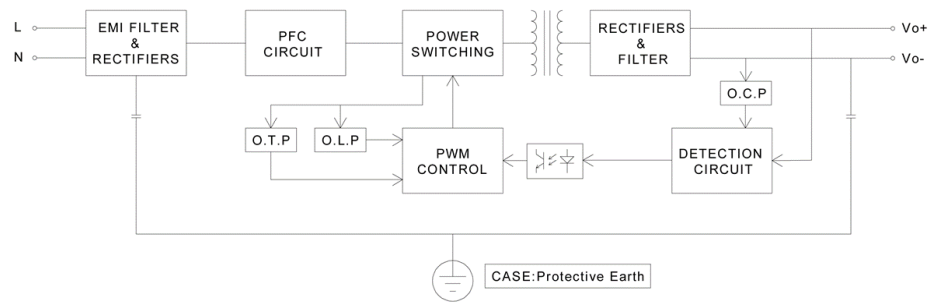
WARNING

This dimming power supply is only suitable for direct drive LEDs.

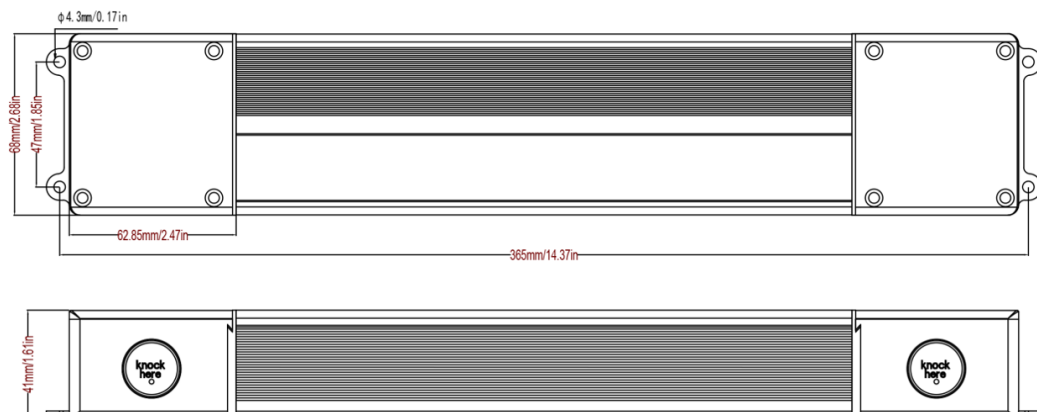
Order Code

Product Code	Input Voltage	Input Current	Frequency Range	Power Factor	Output Voltage	Output Current	Output Power	Hold Time
ET-240AW-12	100~277VAC	2.09A 115VAC	47~63Hz	≥ 0.98	12VDC	20A	240W	10ms
ET-240AW-24	100~277VAC	2.09A 115VAC	47~63Hz	≥ 0.98	24VDC	10A	240W	10ms

Block Diagram



Dimensions



Information provided is subject to change without notice.

LED non- Dimmable Driver 240W Constant Voltage



Wiring Diagram

