

## LED non- Dimmable Driver 150W Constant Voltage



### Features

- Universal AC input voltage 100-277VAC
- Built-in active PFC function
- Protection: OCP, OVP, SCP, OTP
- Typical lifetime > 50,000 hours
- IP65 Rated Enclosure for Indoor and Outdoor Use
- Wiring Compartments with Knock-Outs for Clean and Easy Installation



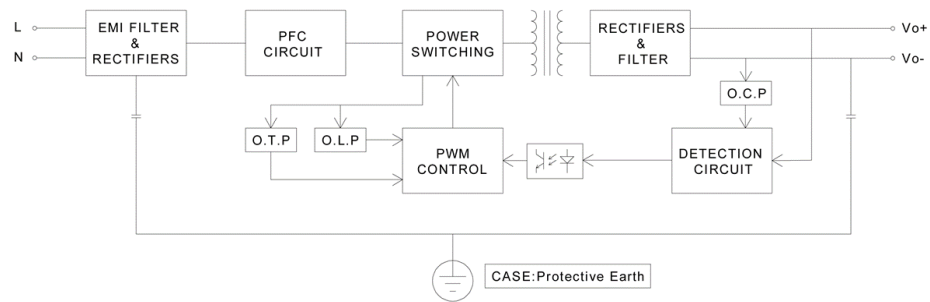
### WARNING

This dimming power supply is only suitable for direct drive LEDs.

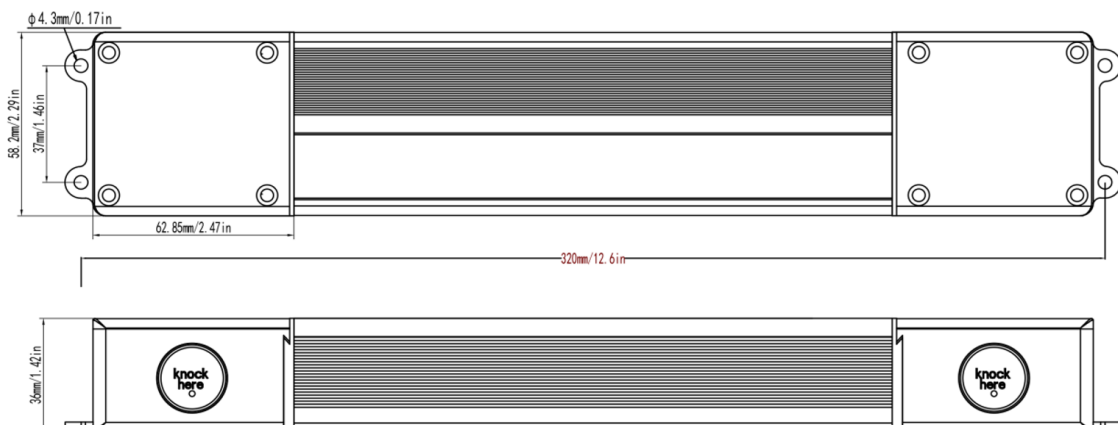
### Order Code

Product Code	Input Voltage	Input Current	Frequency Range	Power Factor	Output Voltage	Output Current	Output Power	Hold Time
ET-150AW-12	100~277VAC	1.30A 115VAC	47~63Hz	≥ 0.98	12VDC	12.5A	150W	10ms
ET-150AW-24	100~277VAC	1.30A 115VAC	47~63Hz	≥ 0.98	24VDC	6.25A	150W	10ms

### Block Diagram



### Dimensions



Information provided is subject to change without notice.

LED non- Dimmable Driver 150W Constant Voltage



## Wiring Diagram

